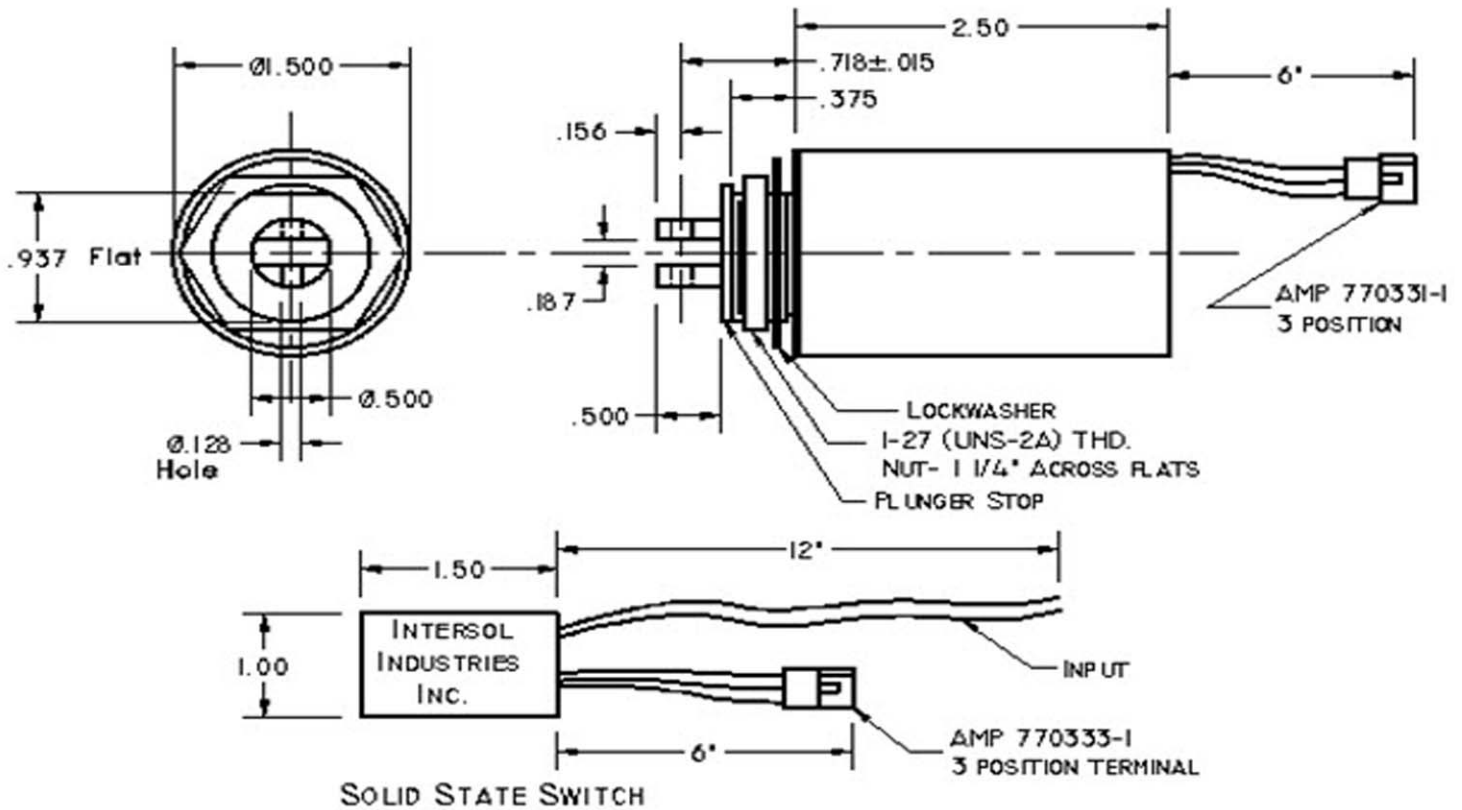
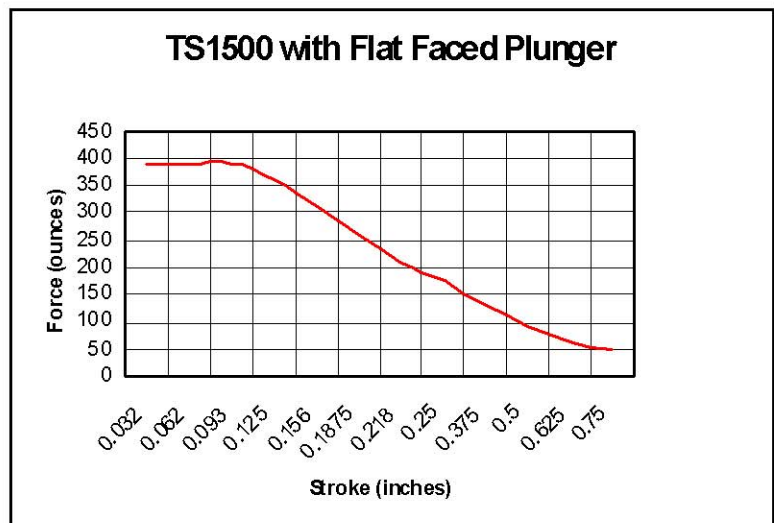


TS1500 POWER MISER SOLENOID



SPECIFICATIONS

- Operating Voltage:** 12 or 24 VDC
- Power:** Primary Coil (Pull) – 170 Watts
Secondary Coil (Hold) – 7 Watts
- Timing:** Primary circuit on for 300 ms. & switching to secondary for continuous duty operation.
- Temperature Rating:** 130° C
- Life Expectancy:** 1 Million Cycles
- Dielectric Strength:** 1000 V RMS
- Holding Force:** 400 ounces with flat-faced plunger.



Other plunger configurations available.