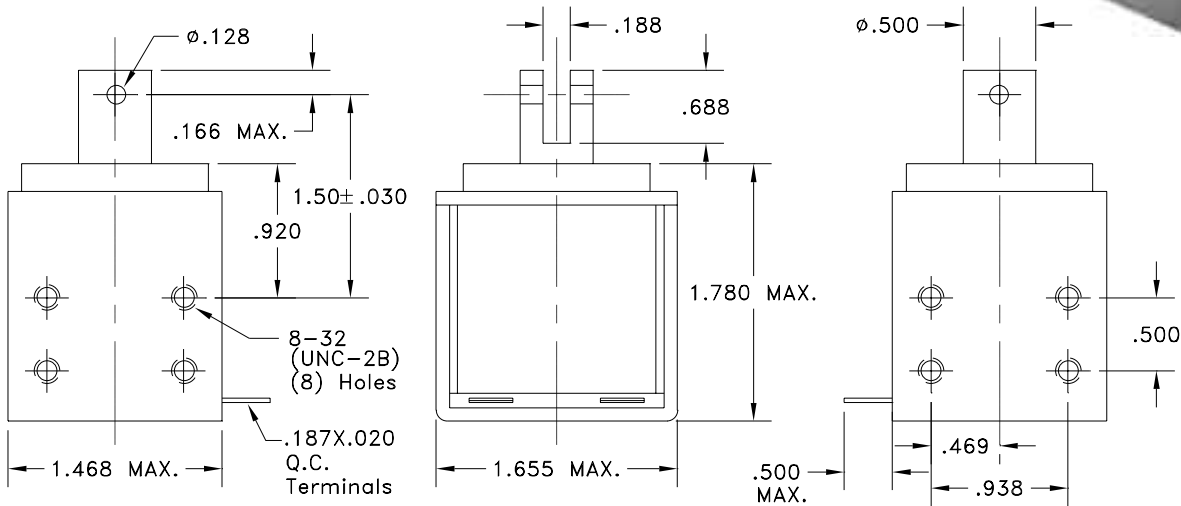
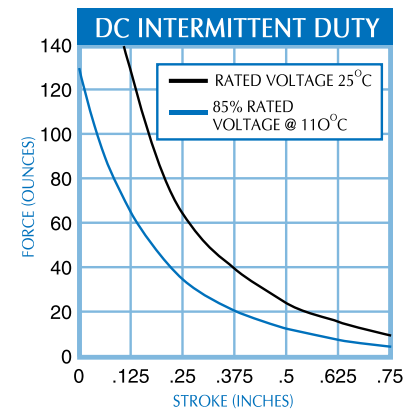
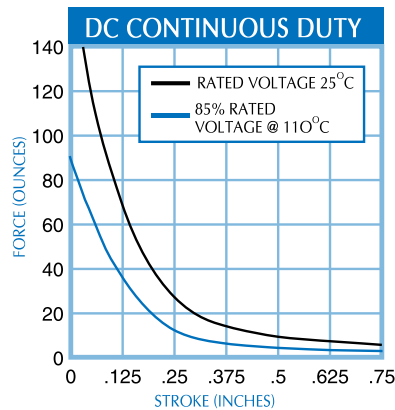


## SERIES FS 350



	D.C.		A.C.			
	CONT.	INT.	DUTY	CONT. INT.		
D.C. POWER WATTS	11	28	A.C. POWER VA	18	90	
STD. D.C. VOLTAGES	D.C. COIL RESISTANCE (OHMS)		STD. A.C. VOLTAGES 60 HZ		D.C. COIL RESISTANCE (OHMS)	
6	3	1.3	12	N/R	N/R	
12	13	5.5	24	4.5	1.3	
24	52	21	120	100	25	
110	1100	430	240	400	110	



## SPECIFICATIONS

1. MAXIMUM OPERATING TEMPERATURE: 130°C
2. LIFE EXPECTANCY UNDER OPTIMUM LOAD: 5 x 10<sup>6</sup> CYCLES
3. DIELECTRIC STRENGTH: 1500 V. RMS
4. TERMINATION: .187 x .020 Q.C.
5. TOTAL WEIGHT: 12 oz. (340 grams)
6. PLUNGER WEIGHT: 1.8 oz. (50 grams)

DC Models Available with Plunger Stop.

INTERMITTENT DUTY CYCLE AT NOMINAL VOLTAGE IS 4 MINUTES MAXIMUM FOR A.C. AT 25% DUTY AND 5 MINUTES MAXIMUM FOR D.C. AT 25% DUTY CYCLE.

